

Telephone table instrument ZB 01

without batteries

Current supply via external supply 24 V =

Product description:

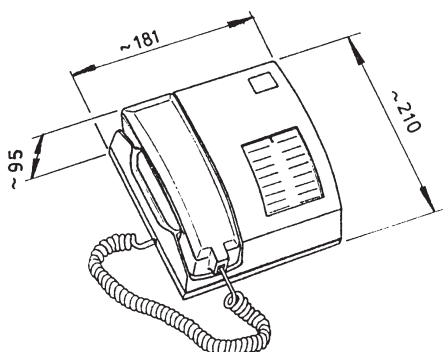
Part no.: 60400

- electronic speaking connection
 - optic and simultaneous ringing generation through pressing the call button
 - current supply - state indicator
 - connection to damp room socket with Amphenol round plug (screw connection)
Connection cable 3m (selectable 1m) can be plugged into the device
 - selectable connection possibility of the plugable handset cord
 - at the left side of the device
 - at the back of the device
 - energy supply via external supply from a central battery with nominal voltage 24 V =
-
- grip recess for carrying the instrument
 - Housing: ABS impact resistant, antistatic
 - slip-proof rubber feet
 - Colour: old white
 - Delivery condition: with dynamic hearing and speaking capsule

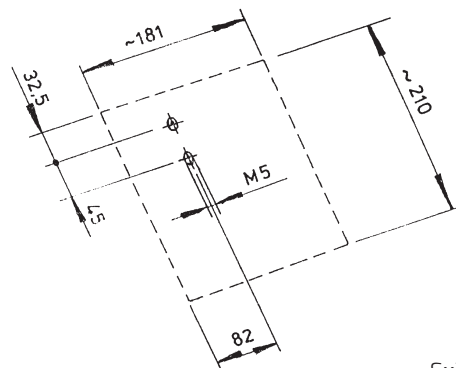
Application example:

- telephone instrument in telecommunication boxes
- telephone instrument in central battery mode
- for application in ski-lift operation

Main dimensions:



Mounting mass:

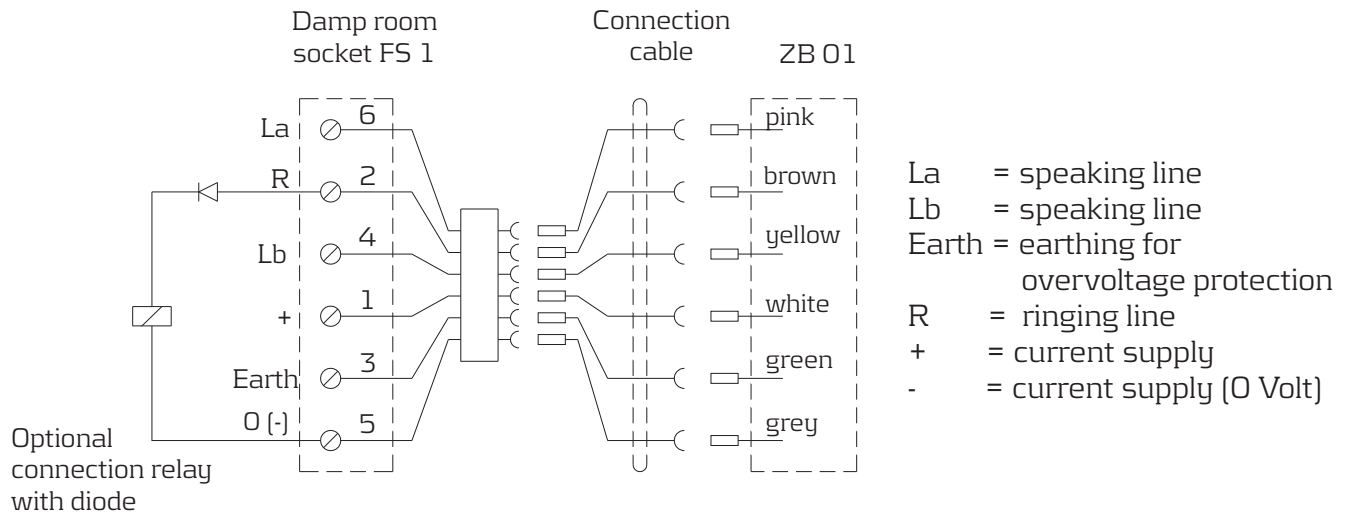


Subject to alterations.

ZB 01

Connection allocation

Damp room socket with Amphenol plug



The use of the connection relays (2 x um, 1440 Ohm co. Schrack / type Siemens) is left to the user.

It is essential that a silicon diode (i.e. 1 N 4004 ... 7) is switched into the connection line!
(Wiring see above)

Requirements

1. Voltage supply

A central or emergency current battery of 24 Volt must be available.

2. Earth cable

- with 3 telephones with a connection relay for additional devices and max. line length of 2 km: 5 x 0,8 n Cu -telephone cable twisted in pairs.
- with 4 telephones with a connection relay for additional devices and max. line length of 4 km: 7 x 0,8 n Cu - telephone cable twisted in pairs.
Voltage supply line switch 2 wires parallel!

3. Overvoltage protection

An earth line for the overvoltage protection (thunderstorm) must be provided at each speaking point (existing lightning conductor / fundament earthing electrode).

4. Sound ringing signalling

The ringing is carried out by pressing the ringing button. For your own checking, the integral Piezo buzzer sounds and the LED lights up at the same time.

5. Volume control microphone

The volume of the microphone in the handset can be adjusted on the printed circuit board with a potentiometer. (Works setting: normal volume)