

# Telephone with soundproof headphone ZB 03 (portable)

without batteries

Current supply via external supply 24 V=

Part no.: 60430

## Product description:

- electronic speaking connection
- optic and simultaneous ringing generation by pressing the ringing button
- connection terminals for telephone lines
- energy supply via external supply from a central battery with nominal voltage 24 V =
- toggle switch for speaking operation
- The headphone is placed on both ears. The microphone is placed near the larynx. The chin strap is then fastened to the hearing shell with the Velcro fastening.
  
- Housing: ABS, colour grey
- Headphone: ABS, colour blue/black
- bracket for suspending the headset
- Delivery condition: with dynamic hearing and speaking capsule

## Application example:

- telephone instrument for rooms with high noise level (diesel room, thyristor room)
- telephone instrument in central battery operation
- for use in lift operation / mountain railway and funicular railway

## Requirements

### 1. Voltage supply

A central or emergency current battery of 24 Volt must be available.

### 2. Earthing cable

- a) with 3 telephones with a connection relay for additional devices and max. line length of 2 km: 5 x 0,8 n Cu - telephone cable, twisted in pairs
  - b) with 4 telephones with a connection relay for additional devices and max. line length of 4 km: 7 x 0,8 n Cu - telephone cable, twisted in pairs
- Voltage supply line 2 wires, switch parallel!

### 3. Overvoltage protection

An earthing line for the overvoltage protection (thunderstorm) must be available at each speaking point (existing lightning conductor / fundament earthing electrode).

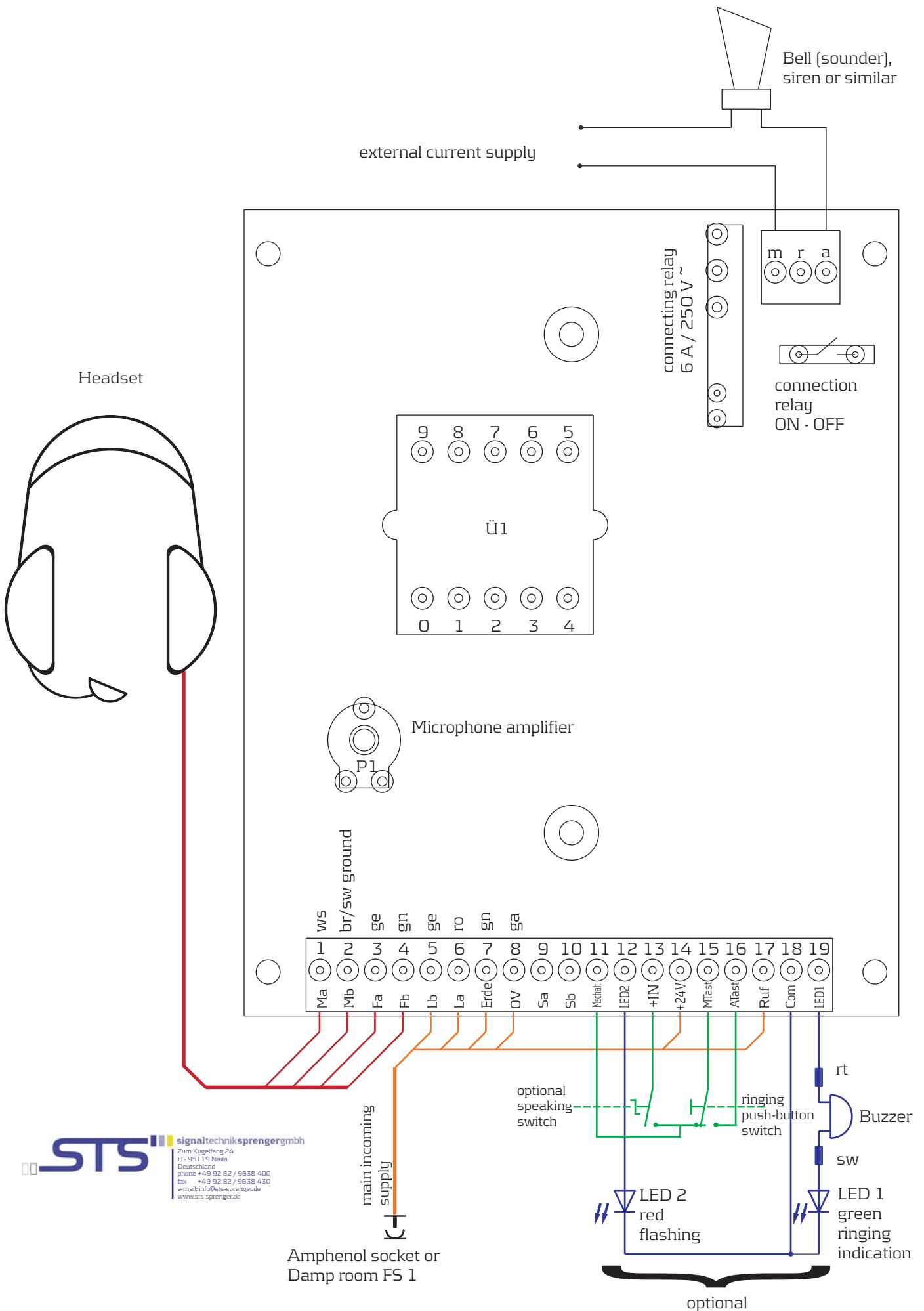
### 4. Sound ringing signalling

The ringing is carried out by pressing the ringing button. For your own checking, the integral Piezo buzzer sounds and the LED lights up at the same time.

Subject to alterations.

# Printed circuit wiring ZB 03

Stand: Februar 2007



**STS** signaltechniksprengergmbh  
 Zum Kugelfang 24  
 D-95119 Naila  
 Deutschland  
 phone +49 92 82 / 9638-400  
 fax +49 92 82 / 9638-430  
 e-mail info@sts-sprenger.de  
 www.sts-sprenger.de

optional