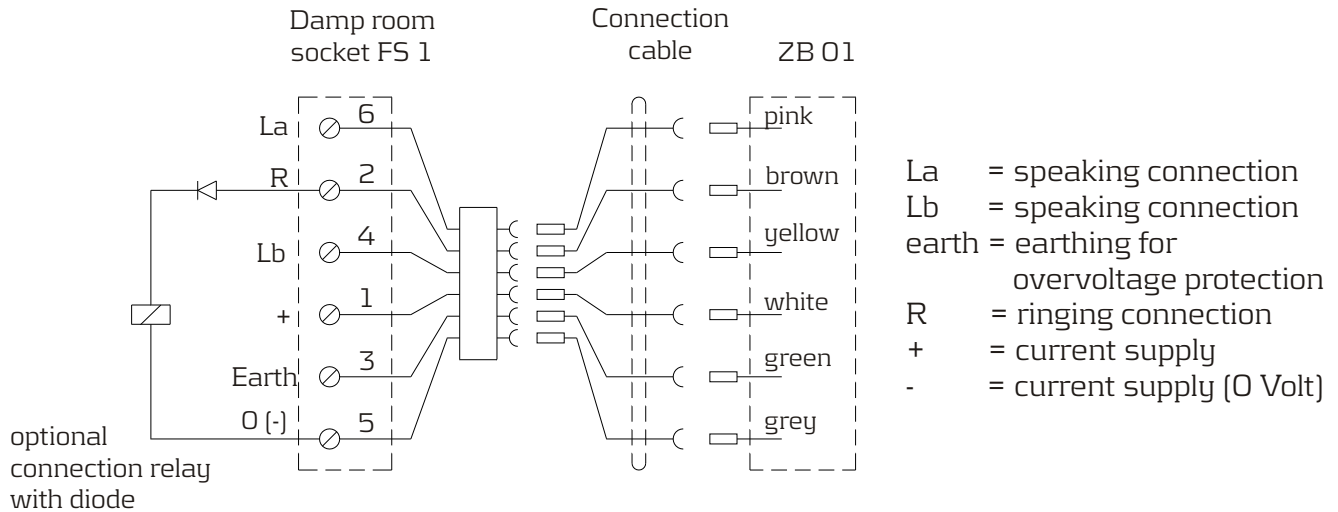


Damp room socket FS 1

Connection allocation

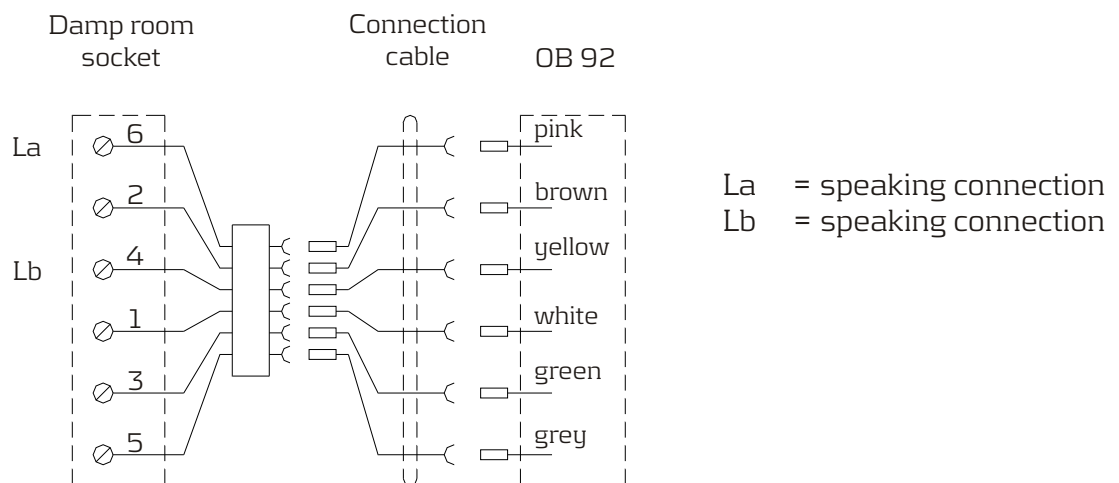
Telephone table instrument ZB 01



The use of connection relays (2 x um, 1440 Ohm co. Schrack / type Siemens) is left to the user.

It is essential that a silicon diode (i.e. 1 N 4004 ... 7) is switched into the connection line!
 (Allocation see above)

Telephone table instrument OB 92



Part no.: 61100