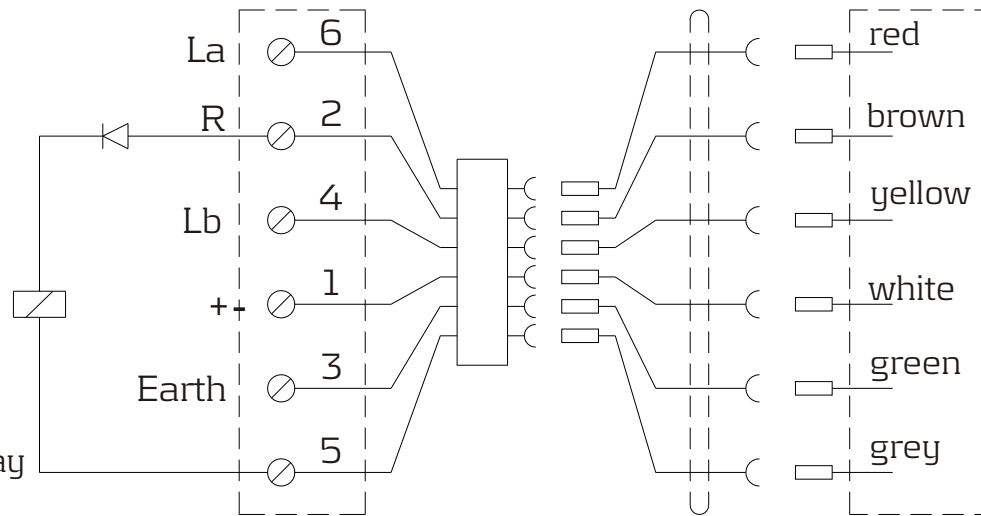


Amphenol socket

Connection allocation for ZB telephone instruments

Damp room socket FS 1 Connection cable ZB 01



- La = speaking connection
- Lb = speaking connection
- Earth = earthing for overvoltage protection
- R = ringing connection
- + = current supply
- = current supply

optional
connection relay
with diode

The use of the connection relays (2 x um, 1440 Ohm co. Schrack / type Siemens) is left to the user.
It is essential that a silicon diode (i.e. 1 N 4004 ... 7) is switched into the connection line!
(Allocation see above)

Part no.:32291



signaltechniksprengergmbh

Zum Kugelfang 24
D - 95119 Naila
Deutschland
phone +49 92 82 / 9638-400
fax +49 92 82 / 9638-430
e-mail: info@sts-sprenger.de
www.sts-sprenger.de