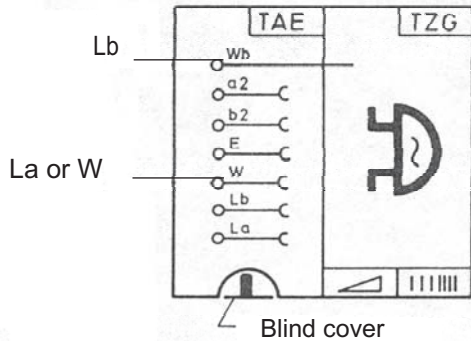


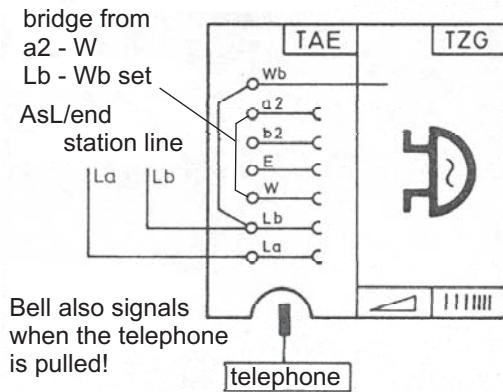
Note on connecting

Bell with sound ringing and optic ringing signalling Sound ringing secondary device WK 958 AP

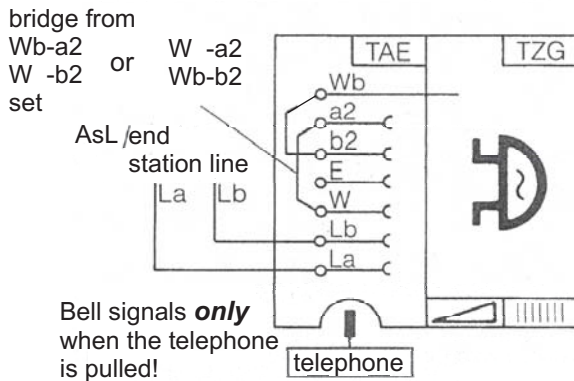
Connecting scheme
(sound ringing secondary device)



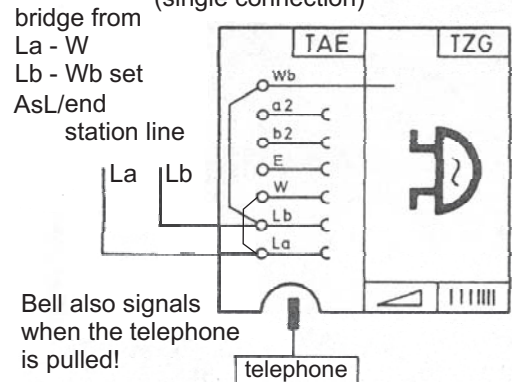
Connecting scheme
(single connection)



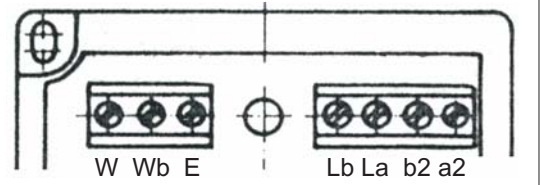
Connecting scheme
(single connection)



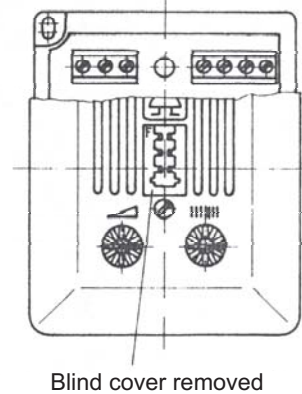
Connecting scheme
(single connection)



This connection scheme is used when the telephone instrument does not have a W - wire. (All new telephones do no longer have a W - wire.)



AP - version



General:
The sound ringing secondary devices are intended for additional signalling of an incoming call at an AsL/end station line.