

# Telephone table instrument OB 92

Part no.: 60260

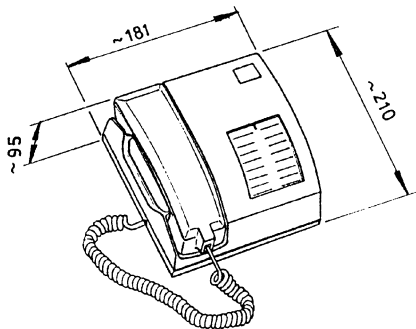
## Product description:

electronic speaking connection  
ringing current generation through hand inductor  
with outgoing call signal: listen-in can be switched off  
battery - state indicator  
battery compartments accessible without tools  
(by pressing down on the transparent cover at the top of the housing and pushing it in the direction of the arrow)  
connection to TAE socket (plug connection)  
connection cable 3m (selectable 1m) can be plugged into the device  
selectable connection possibilities of the handset cable  
at the left side of the device  
at the back of the device  
Energy supply selectable:  
battery supply  
external supply  
grip recess for carrying the instrument  
Housing: ABS impact resistant, antistatic  
slipproof rubber feet  
Colour: old white  
Delivery condition:  
with dynamic hearing and speaking capsule  
without battery: 2 off mono cell are required

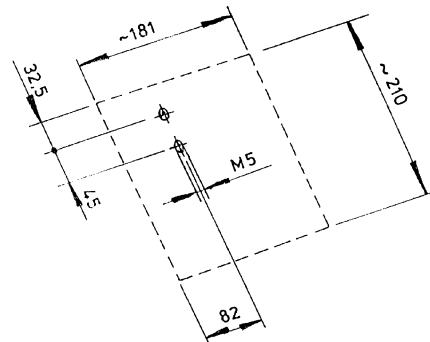
## Application example:

telephone instrument in the telecommunication boxes  
terminals in local battery operation

## Main dimensions:



## Mounting mass:

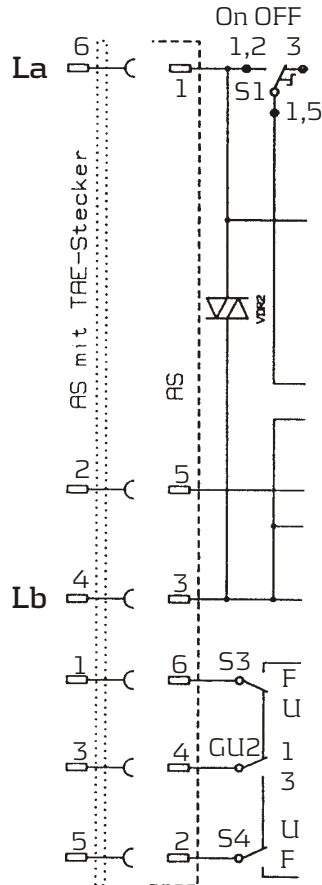


Subject to alterations.

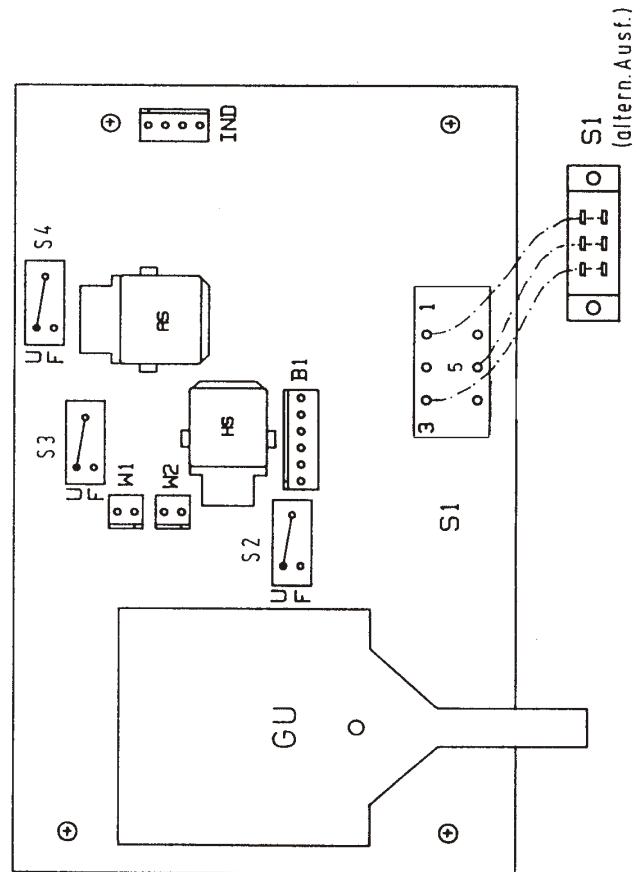
# OB 92

## Connecting allocation

Connecting scheme



View onto printed circuit board



Für normalen Betrieb wird nur Anschluss La und Lb benötigt, d.h. der OB 92 wird 2-polig an das Ortsbatterie-Fernsprechnet (oder den nächsten OB 92 angeschlossen)

Alle anderen Anschlüsse werden für spezielle Anwendungen des Bahnbetriebes benötigt.

GU - replaced marked switch S2 - S4  
 F = external supply  
 U = changeover contact (delivery condition)

**CAUTION: with external supply, the cells in the battery compartment must be removed!**

Please note with external supply: the working area here lies between 4 Volt and 30 Volt direct current!

Changeover switch

S2, S3, S4 = switching position F = external supply  
 switching position U = changeover contact  
 (delivery condition: switch position U)

B1 = connection battery state indicator

IND = hand inductor

AS = connecting cable, 6-wire

HS = handset cable

GU = cradle switch (8-wire)

S1 = changeover switch for outgoing call signal (listening-in)  
 (also accessible on the under side of the floor pan)