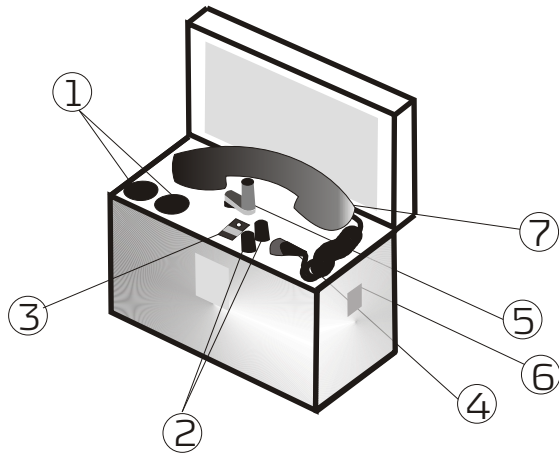


Operating Instructions

Telephone OB 06 portable in case



- ① batterie cases
- ② connectors a/b
- ③ rocker switch On/Off
- ④ Amphenol plug for handset
- ⑤ crank inductor
- ⑥ eyelet for carrying belt
- ⑦ handset

Telephone with handset

- Aluminum housings with laminated material plates Oslo, color silver-grey
- Telephone handset, color black
- with stretcher belt

For voltage supply 2 mono cells with 1.5 V each are needed. These are inserted into the battery boxes ①.

The connection of the telephone lines a/b or test managements takes place via 4 mm of connecting terminals ②

The rocker switch (ON/OFF) ③ replaces the fork change over switch otherwise usual for telephones. For the intercom operation the telephone OB 06 must be switched on. The red LED shines or flashes as a check.

An arriving call is acoustically signaled by a Piezo sound generator. The according to strengthens lies with over 100 dBA/0,3m and the frequency amounts to 2.9 kHz. With closed cover decreases the volume of the detailed call. Signaling with agreed upon indications [Morse code] is well possible.

By loosening of the putting/bolt connection of the Amphenolsteckers ④ the telephone handset ⑦ can be changed.

The crank inductor ⑤ is operated in direction of rotation to the call signaling. Note when locking the suit case that the crank is turned into the resting position, since otherwise the telephone handset is damaged.

At the 2 eyelets ⑥ the carrying belt can be hung up.